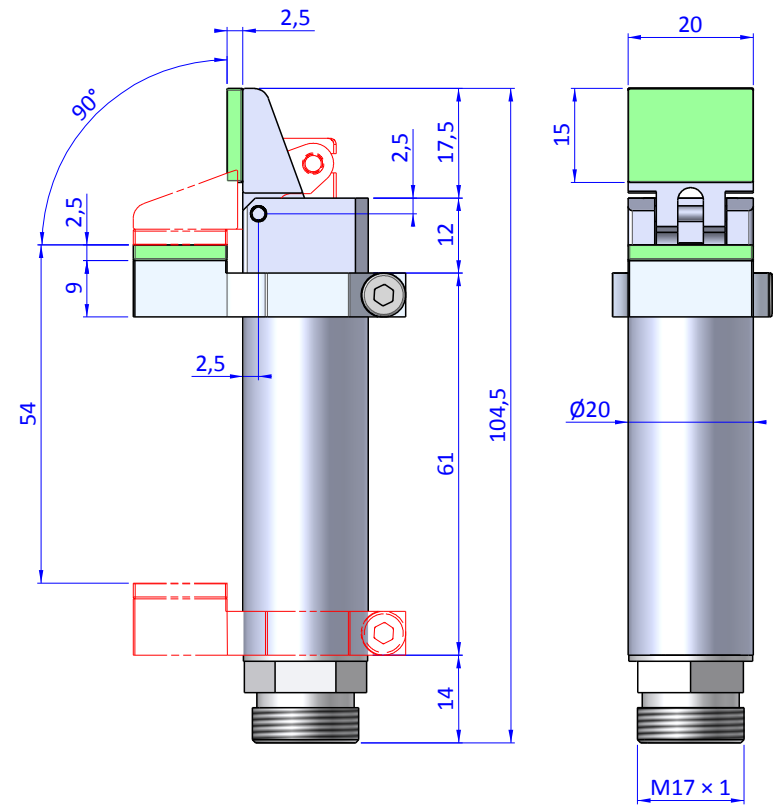
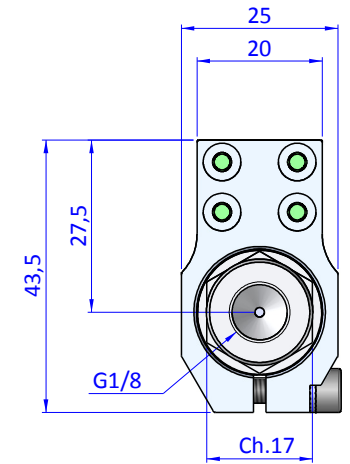
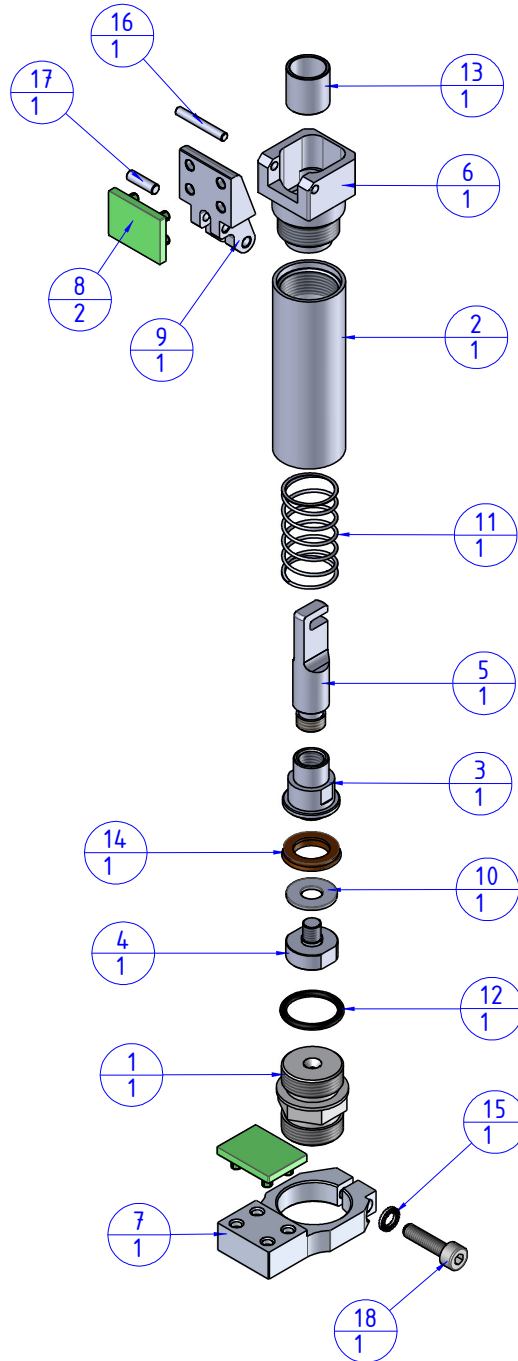



THE PROPERTY OF THE DRAWING IS ESTABLISHED BY LAW. IT IS FORBIDDEN TO PRODUCE OR SHOW IT TO THIRD PART, WITHOUT A WRITTEN AGREEMENT.

Item	Name	Q.ty
1	GRF20.95.01	1
2	GRF20.95.02	1
3	GRF20.95.03	1
4	GRF20.95.03.2	1
5	GRF20.95.04	1
6	GRF20.95.05	1
7	GRF20.95.07	1
8	GRF20.95.08.V	2
9	GRF20.95.09	1
10	GRF20.95.10	1
11	M.GRF.2095.1	1
12	OR.2056	1
13	PAP.101212	1
14	PSP.1610255	1
15	R.4.SCH	1
16	SP.2,5x18M6	1
17	SP.3x10M6	1
18	VTCE4x16	1



Format A3

UNI 936-76

 FPS FPSERVICES AUTOMATION		DESIGNED FROM		REVIEW
		FPS Automation		A
GENERAL TOLERANCE		DATE	WEIGHT	
UNI - ISO 2768		28/03/2019	0,086kg	
CLASSE F		CODE		
		CA.GRF.2095.G		CA.GRF.2095.G